

Case Study: University Hospital of North Staffordshire



Glazing by Kawneer features on a North Staffordshire hospital redevelopment

Kawneer's AA®100 dry-jointed curtain walling with 50mm sightlines and ACS windows feature on Phase 2 of the £215million redevelopment of the estate of University Hospital of North Staffordshire NHS Trust.

Kawneer systems help deliver a regional NHS record

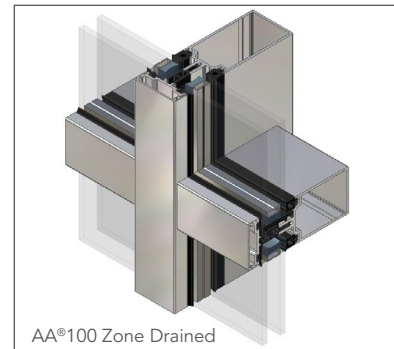
Glazing systems from Kawneer feature generously in the biggest single investment in North Staffordshire healthcare in the 155 years of the NHS.

Kawneer's AA®100 dry-jointed curtain walling with 50mm sightlines and ACS windows feature on Phase 2 of the £215million redevelopment of the estate of University Hospital of North Staffordshire NHS Trust.

The North Staffordshire PFI redevelopment comprises a new acute facility, or hub and ward block, at the City General Hospital in Stoke-on-Trent. Kawneer-approved specialist sub-contractor Bennett Architectural Aluminium Solutions spent 18 months on-site on the 87,000m² building which covers an area roughly the size of two football pitches.

Off-site construction methods were brought to bear on the installation of the Kawneer windows as they were pre-glazed and fitted to pre-cast concrete panels on site prior to them being lifted into position. This not only eased access requirements but allowed the building to be sealed more quickly, enabling follow-on trades to start earlier.

The North Staffordshire PFI project required the integration of a wide range of new facilities onto an existing and operative hospital campus. Services from three sites were brought together to allow the trust to deliver future care more efficiently and effectively.



Please contact our Architectural Services Team if you have a project you would like to discuss: Tel: 01928 502604 / Email: kawneerAST@alcoa.com

Kawneer UK Limited, Astmoor Road, Astmoor Industrial Estate, Runcorn, Cheshire WA7 1QQ
Tel: + 44 (0)1928 502500 Fax: + 44 (0)1928 502501

WWW.KAWNEER.CO.UK